

OPERATING AND MAINTENANCE INSTRUCTIONS

P/N 113215-001

MODEL 1000E

HAZARDOUS LOCATION CENTRIFUGAL BLOWER

<u>SECTION</u>	<u>TABLE OF CONTENTS</u>	<u>PAGE NUMBERS</u>
1.0	GENERAL	2
2.0	SAFETY PRECAUTIONS	2
3.0	MAINTENANCE & REPAIR	2
4.0	PRODUCT DESCRIPTION	3
5.0	START-UP & OPERATING PROCEDURES	3
6.0	PARTS LIST	4
7.0	WIRING DIAGRAM	6

T.A. PELSUE COMPANY
2500 S Tejon St. Englewood, CO 80110
Phone: (303) 936-7432 or (800) 525-8460
Fax: (303) 934-5581

PELSUE 1000E HAZARDOUS LOCATION CENTRIFUGAL BLOWER

1.0 GENERAL

1.01 This manual covers the description, operation and maintenance of the Pelsue Model 1000E Hazardous Location Centrifugal Blower.

PLEASE TAKE THE TIME TO READ THIS MANUAL BEFORE OPERATING BLOWER.

1.02 The model 1000E centrifugal blower is specifically designed to provide a source of fresh air in hazardous locations. This blower is powered by an 120V AC, 60 HZ electrical source.

2.0 SAFETY PRECAUTIONS

FOR YOUR SAFETY
READ THE FOLLOWING
SAFETY PRECAUTIONS.

2.01 Pelsue has designed their hazardous location blower line to be user-wired and requires installation by a qualified electrician.

2.02 Do not use the blower for other than its intended purpose.

2.03 Do not wear loose clothing that can become entangled in operating machinery. Do not operate blower without inlet or outlet screen guards in place.

2.04 Do not place fingers or any other object through inlet or outlet screens.

2.05 This blower requires installation by a qualified electrician when used in a hazardous location.

2.06 SAVE THESE INSTRUCTIONS.

3.0 MAINTENANCE AND REPAIR

3.01 Be sure the blower is disconnected from the power source before doing any maintenance or repair work on the blower.

3.02 See the enclosed parts list.

3.03 For parts or service information contact:

T.A. Pelsue Service Department
2500 South Tejon Street
Englewood, Colorado 80110
Phone: 303-936-7432 or
1-800-525-8460
Fax: (303) 934-5581

4.0 PRODUCT DESCRIPTION:

The Model 1000E centrifugal blower is a single-speed, fresh-air blower for use in hazardous Locations.

4.01 DIMENSIONS & WEIGHTS

Width: 21.0" (534 mm)
Length: 15.0" (381mm)
Height: 15.0" (381mm)
Weight: 45 lbs. (20.4 kg)

4.02 MODEL SPECIFICATIONS & PERFORMANCE:

Housing
Construction: Welded Steel
Blower Wheel: Aluminum
Voltage: 120V AC, 60 HZ
Amperage: 6.0 (31 Start-up)
H.P.: 1/3 (.248kw)
Free Air: 1090 cfm (30.8 cmm)
One 90° Bend: 773 cfm (21.8 cmm)
Two 90° Bends: 700 cfm (19.8 cmm)
Blower Wheel Speed: 1725 rpm

5.0 OPERATING PROCEDURES

READ ENTIRE PROCEDURE BEFORE OPERATING BLOWER.

5.01 Pelsue has designed their hazardous location blower line to be user-wired and requires installation by a qualified electrician.

5.02 OPERATING PROCEDURE

CAUTION: Prior to Operating the ventilator, Read; Section 2.0, SAFETY PRECAUTIONS.

A. Check blower inlet and outlet guard screens for obstructions. Check immediate area around blower for objects that could be sucked into the blower inlet and remove from area.

B. Extend and attach blower hose to Model 1000E.

C. **WARNING:** In some applications, it may be necessary to ground the blower hose to the blower housing to eliminate the potential for a spark caused by static electricity. Please consult your local authorities and follow all applicable codes.

D. Turn on blower from remote switch.

E. It is good practice to purge the blower hose for a couple of minutes prior to placing the hose in area to be ventilated.

F. Position the blower hose as required in the area to be ventilated. **ENSURE THAT NO HAZARDOUS FUMES ARE BLOWN INTO A CONFINED SPACE.**

G. Do not leave the blower operating while unattended.

H. When blower operation is no longer required, remove the hose from the confined space and unplug the blower from the power source.

6.0 PARTS LIST

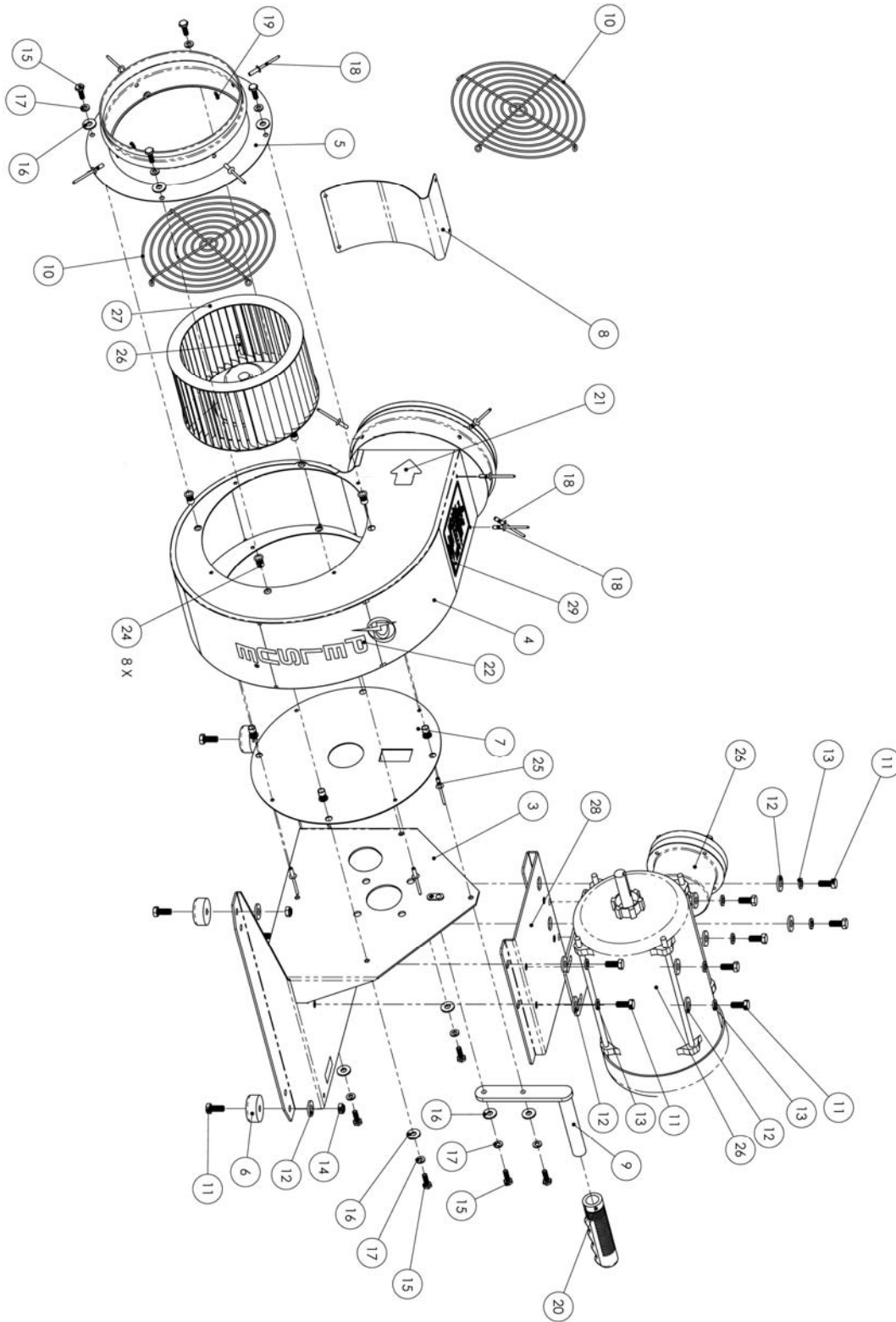


Figure 6a. Model #1000E Blower Assembly

Figure 6a. Parts List

Item No.	Part#	Description	QTY.
3	124389-001	Weldment – Base, 12GA, 48 Frame	1
4	124343-001	Weldment – Centrifugal Blower Housing	1
5	124355-001	Weldment – Suction Adapter, Rivet-On	1
6	100188-002	Foot – Rubber, 1-1/2" OD	4
7	124344-001	Adapter Panel – Mounting For Motors	1
8	124347-791	Insert - Cut-Off, For 7.91" Blower Wheel	1
9	102440-001	Handle – 1240 Series Blowers, ¼" Flat Bar	1
10	112298-001	Grill – Intake, 12GA (0.090") Steel Wire	2
11	100157-007	Screw – Hex Head, 5/16-18 UNC x ¾", Plated	12
12	100050-010	Washer – Flat, 5/16 IN., Type A, W, Plated	12
13	100121-010	Washer – Lock, 5/16 IN., Helical Spring, Plated	8
14	107942-001	Nut – Stover, 5/16-18 UNC, Grade 5	4
15	101427-002	Screw – Cap, Hex Head, ¼-20 UNC x ¾", Plated	9
16	100050-009	Washer – Flat, ¼ IN., Type A, W, Plated	9
17	100121-009	Washer – Lock, ¼ IN., Helical Spring, Plated	9
18	118519-001	Rivet – Stavex, Blind Flange Dome, Black Oxide	12
19	104151-001	Washer – Rivet Back Up, 7/32" ID x 7/16" OD, Stainless	12
20	124624-001	Grip – Slide-On, Round Grip, Ribbed w/ Finger Grip	1
21	111837-001	Decal - Directional Arrow, Black	2
22	121529-001	Decal – "Pelsue" Vertical with "P" Logo (2005), Black	1
23	900306-001	Decal – "Inspected By – Date", Adhesive Back	1
24	120386-001	Nutsert – Thin Sheet, ¼-20 UNC	8
25	118518-001	Rivet – Stavex, Blind Flange Dome, Black Oxide	4
26	123126-001	Motor – Explosion Proof, 1/3HP, 115/208-230 VAC	1
27	123216-001	Wheel – Blower, 7.68" Diam. X 4.5" FC. Width, Aluminum	1
28	124398-056	Spacer – 56 Frame Motor	1
29	113213-001	Decal – Identification, Rating, and Serial Number, #1000E	1
30	114657-001	Decal – "Attention: A Connecting Device Approved.."	1
31	114094-003	Sealing Ring – Metal Clad, For 1" NPT	1
32	123212-001	Strain Relief – 1" MNPT x 0.50 – 0.63 Cord Grip, Aluminum	1
33	112302-000	Thread Sealant – Hazardous Location, Chico A4	0.06
34	114829-000	Adhesive – Loctite #242, Threadlocker	0.10

7.0 WIRING DIAGRAM

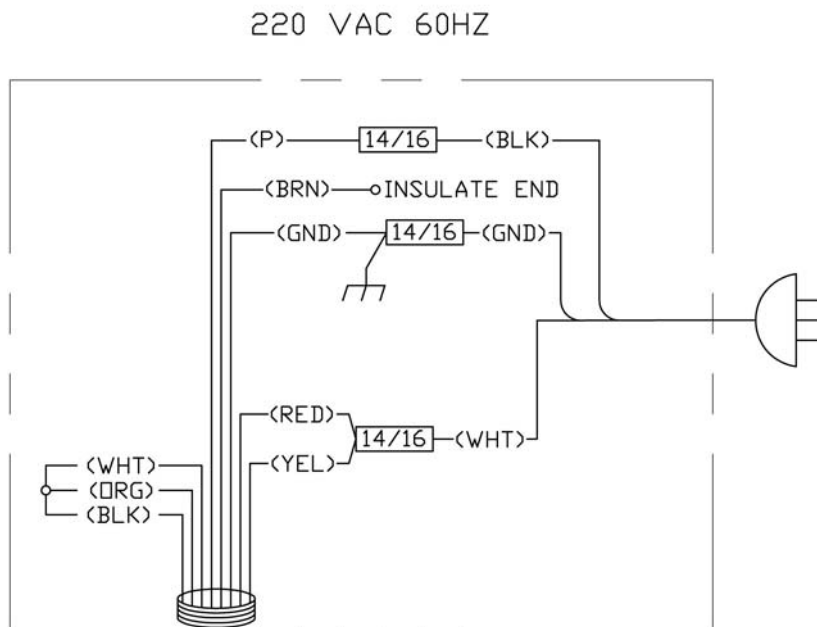
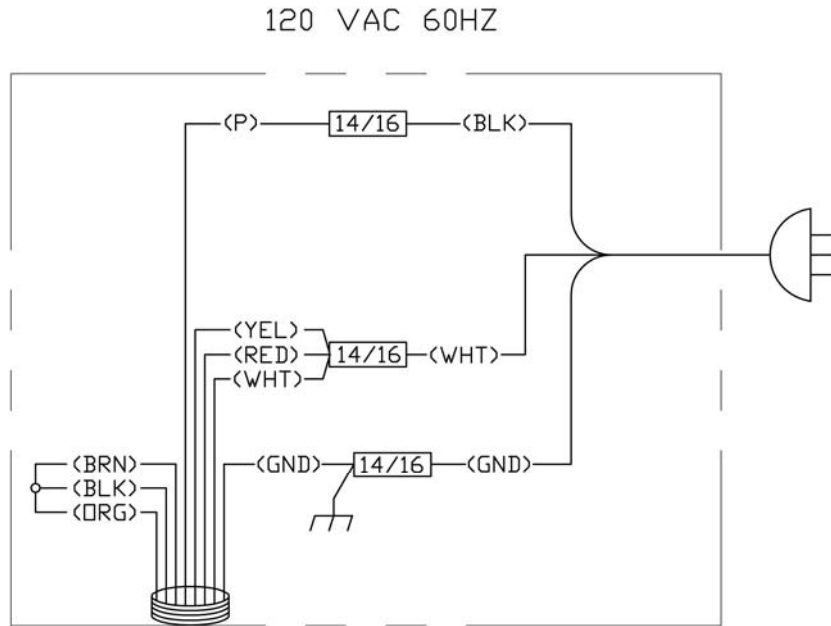


Figure 7a. Wiring Diagram