



Product Specifications

Model #BC-16S Structural Anchor Clamp Fall Arrest Post Base, Adjustable 8-3/4"-16" Structural Beams

The Pelsue Model #BC-16S Structural Beam Clamp is specifically designed to provide a portable mounting point for a Pelsue Model #FT-C70 Fall Arrest Post. The telescoping tube sections are able to be extended, via the speed handle, allowing for two, angled jaw plates to grip underneath the flange of the structure thereby anchoring the clamp to the structure. The Model #BC-16S will anchor to structures having an outside flange width between 8-3/4" & 16" and a flange thickness of up to 1". The #BC-16S is also equipped with a swivel D-Ring that provides a compliant anchorage for a fall arrest system when the clamp is not used in conjunction with a fall arrest post. The Model #BC-16S is constructed of steel and is coated with a durable electroless nickel plated finish.

General Specifications:

The #BC-16S is designed and tested to be used in 2 General Applications:

- As a portable Fall Arrest Anchorage Point
 - Man Rated Load Capacity @ Anchor D-Ring.....**Single User of 310 LBS. (141 KG.) Maximum Weight
- As a portable mounting base for a Pelsue Model #FT-C70 Fall Arrest Post when both products are employed and utilized according to their respective Product Manuals.
 - Man Rated Load Capacity Using Fall Arrest Post.....**Rating is determined by fall arrest tower.

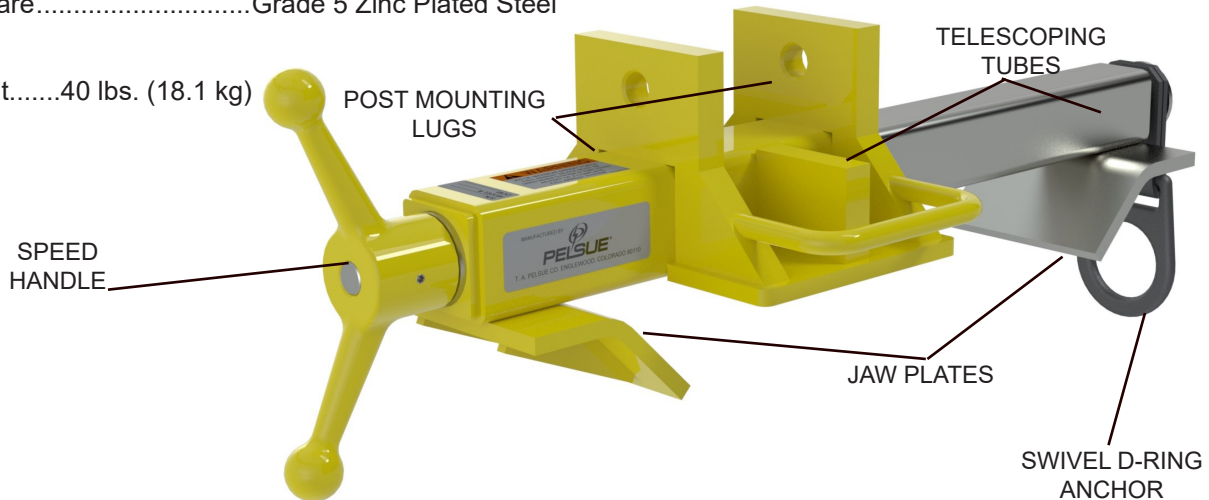
Warning! A 900 LB. maximum arrest force (MAF) fall arrest device must be used when system is employed as part of a complete fall arrest system. Maximum weight of person upon anchorage is 310 LBS (141 KG.) inclusive of all tools and equipment.

Materials & Construction:

- General Construction.....Welded Carbon Steel, Electroless Nickel Plating
- Hardware.....Grade 5 Zinc Plated Steel

Weight:

- Weight.....40 lbs. (18.1 kg)



Features:

#BC-16S Structural Anchor Clamp

- Portable Fall Arrest Post Base for installation on various structures (i.e. Wide Flanges, I-Beams)
- Telescoping tube sections to adjust for multiple beam sizes
- Provides an approved mounting base for an #FT-C70 fall arrest post

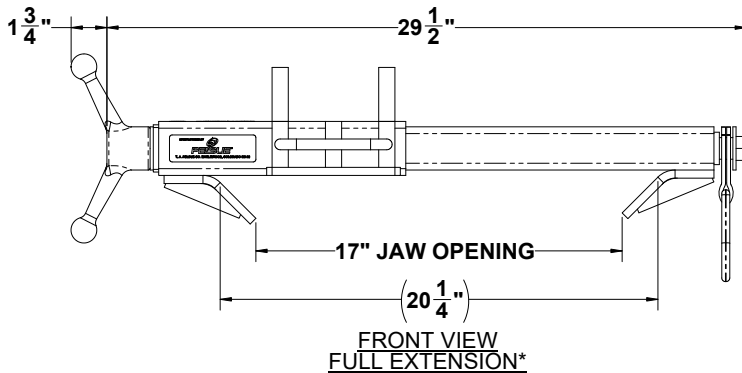
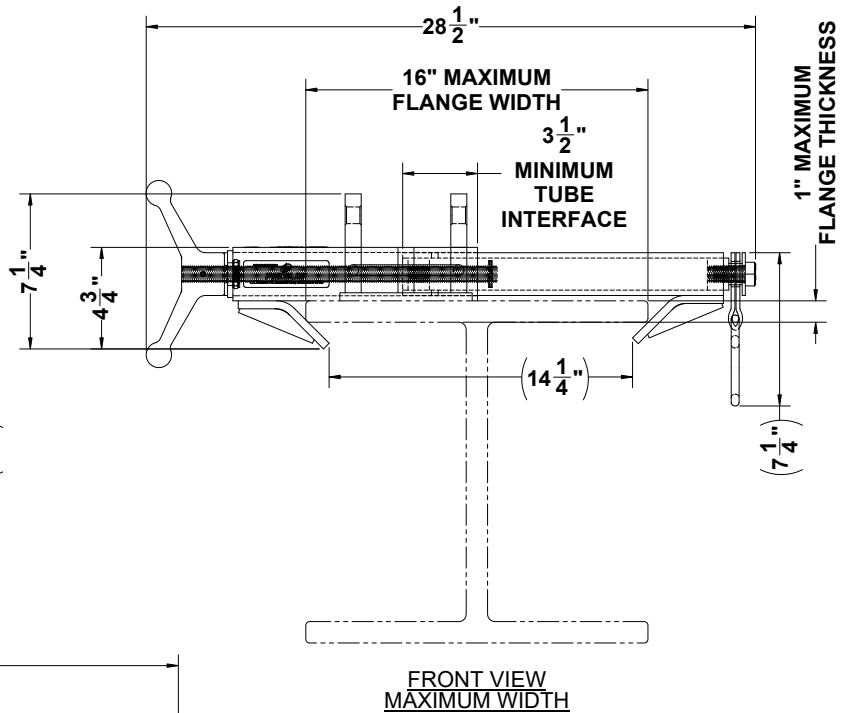
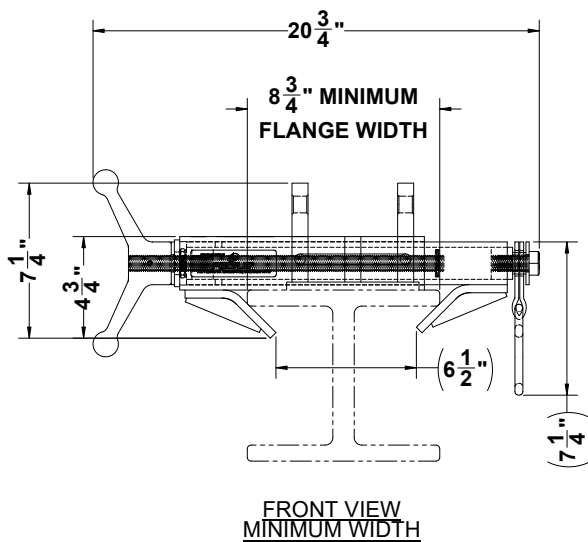
Usage Requirements & Limitations:

- The Model #BC-16S is only rated and approved for usage in conjunction with a Pelsue Model #FT-C70 Fall Arrest Post
- The Model #BC-16S is only to be used on structures having an outside flange diameter of between 8-3/4" & 16".
 - The user must ensure that the structure to which the #BC-16S is installed is capable of supporting all loads imparted to it by the #BC-16S clamp when the system is loaded to a magnitude equivalent to the #FT-C70 post's "proof load".
 - The Model #BC-16S Clamp and #FT-C70 Post must be utilized as a complete system under the supervision of a qualified person.

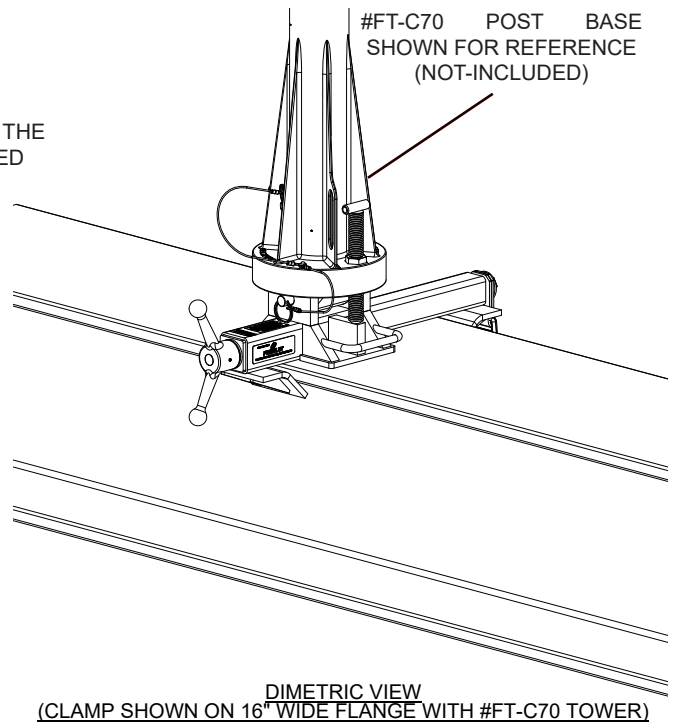
PELSUE
T.A. Pelsue Company
 2500 S. Tejon St.
 Englewood, CO 80110
 Ph: 1-800-525-8460, (303) 936-7432
 Fax: (303)934-5581
 Web: www.pelsue.com E-mail: sales@pelsue.com



Product Specifications



* THE CLAMP CAN BE EXTENDED TO THE DIMENSIONS SHOWN FOR THE PURPOSES OF INSTALLATION ONLY. THE CLAMP MUST BE SECURED TO A FLANGE OF 16" MAXIMUM WIDTH FOR ACTUAL USAGE.



2500 S. Tejon St.
 Englewood, CO 80110
 Ph: 1-800-525-8460, (303) 936-7432
 Fax: (303)934-5581
 Web: www.pelsue.com E-mail: sales@pelsue.com